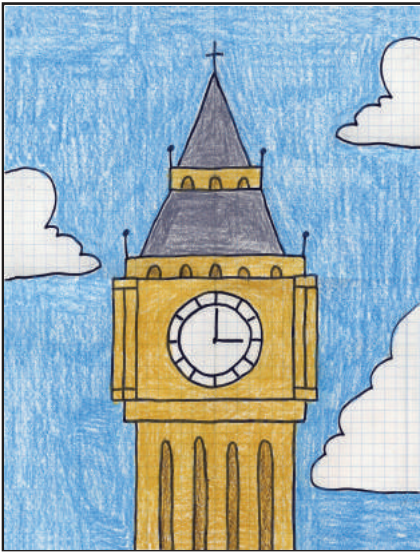
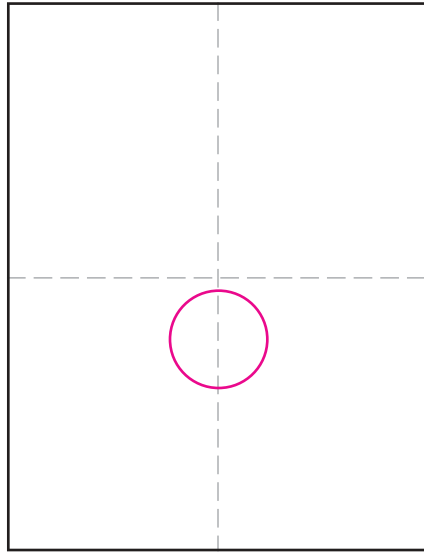


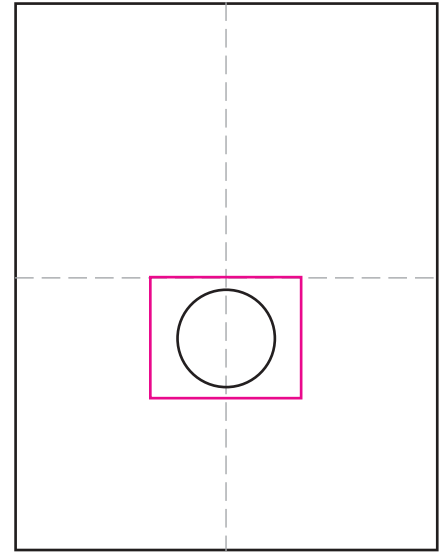
How to Draw Big Ben



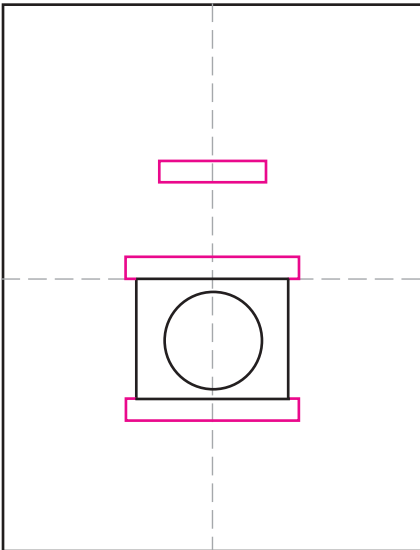
Sample drawn on 1/4" grid paper.



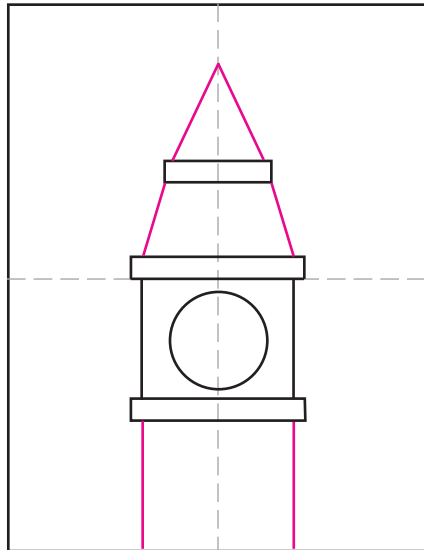
1. Make fold lines. Draw a circle.



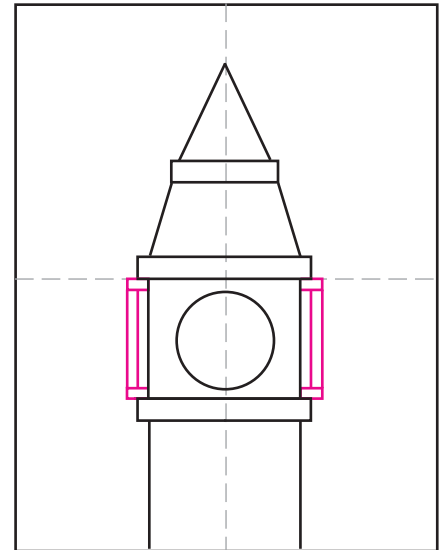
2. Draw rectangle around circle.



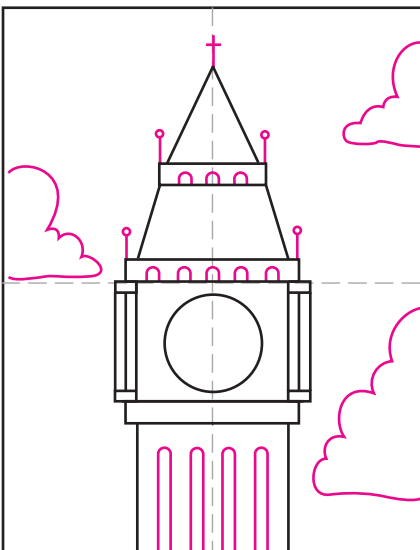
3. Draw 3 rectangles.



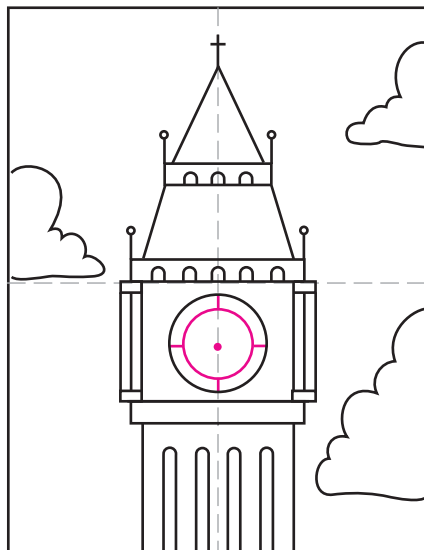
4. Draw sides of tower.



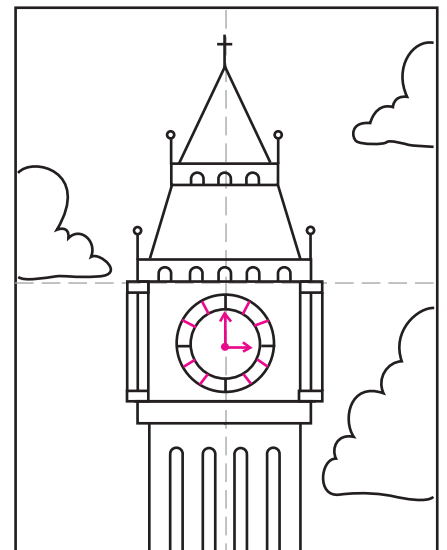
5. Add side boxes and lines.



6. Add tower details. Add clouds.



7. Draw smaller circle and lines.



8. Finish clock lines. Add clock hands.

